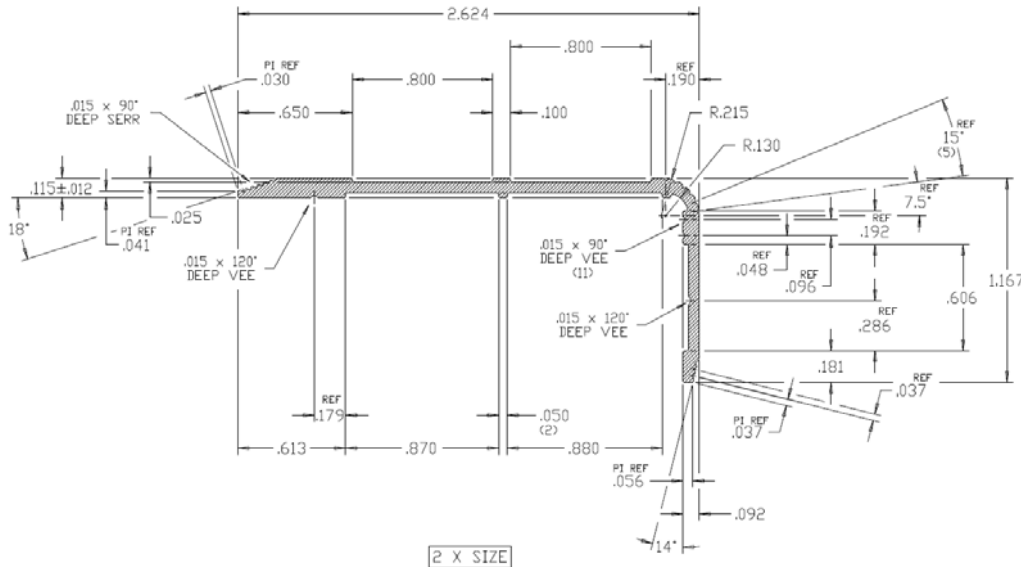


UL1994-listed by Underwriters Laboratories:
Photoluminescent Egress Path Marking
System Component

Aluminum Stair Nosing

Item-No.: 83-40447L

83-40447L-XX



with NYC Labeling: Permalight UL1994-listed 83-40447L

Typical Use

Photoluminescent Egress Path Marking System Component

- ✓ In compliance with **IBC** 2009 + 2012 Section 1024; 2015 + 2018 Section 1025 'Luminous Egress Path Markings'
- ✓ In compliance with **NYC Local Law 141**
- ✓ In compliance with **NFPA 101-Life Safety Code** Section 7.2.2.5.5 'Exit Stair Path Markings'
- ✓ **UL1994-listed** by Underwriters Laboratories, Inc. to 'Standard for Luminous Egress Path Marking Systems' as Model: CC-NOSING 'Suitable for Wall & Stair Nosing/ Floor Use': **Listed in half-inch (= 1/2") photoluminescent strip width !!!**
- ✓ **UL410-listed** to Standard for Slip Resistance of Floor Surface Materials
- ✓ **Activation by LED and Fluorescent Lighting**

Ideal as

- Step Nosing and Leading Edge of Landing Marking